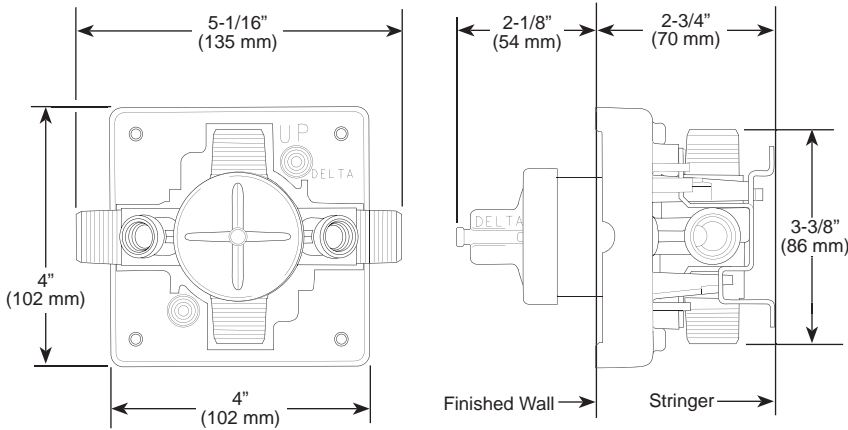


R10000-UNWS



Specification: (example)

R10700-UNWS (R10000-UNWS with Diverter Valve Rough-In)

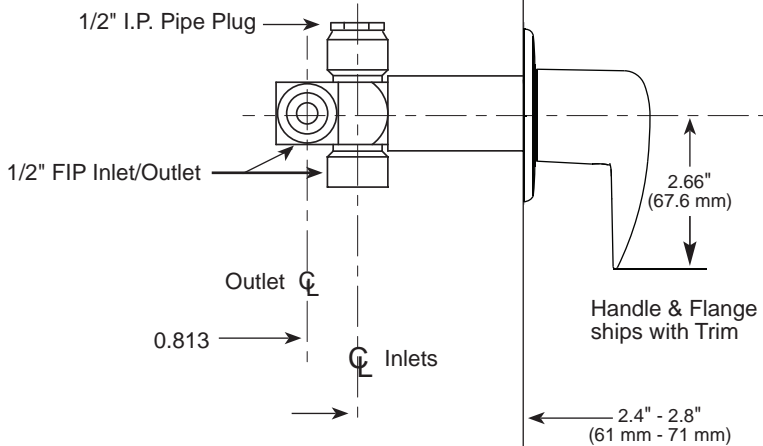
- MultiChoice® Universal Rough Valve Body (Includes Diverter Valve for Dual Showers)

R10000-UNWS

- Universal with stops.
- Forged brass body.
- Back-to-Back installation capabilities.
- Can be tested with air (200 PSI) or water (300 PSI) without valve using supplied test cap.
- Square plasterguard allows for right angle cuts.
- Thin wall mounting.
- For use with MultiChoice® Universal single or dual function trim. Cartridge ships with trim.
- 1/2" outlets and connections.

Note: "UN" indicates Universal type fitting and is 1/2" NPT male thread with 1/2" C.W.T. female sweat.

Diverter Valve Rough-In



Diverter Valve Rough-In

- For use with MultiChoice® Universal T13H and T17TH Series with diverter valve for dual showers.
- Handle and flange ships with trim.



COMPLIES WITH:

- ASME A112.18.1 / CSA B125.1